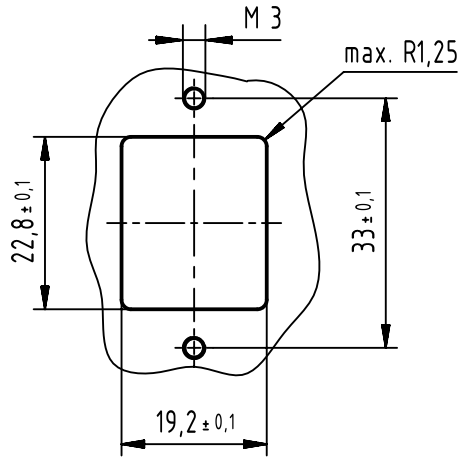
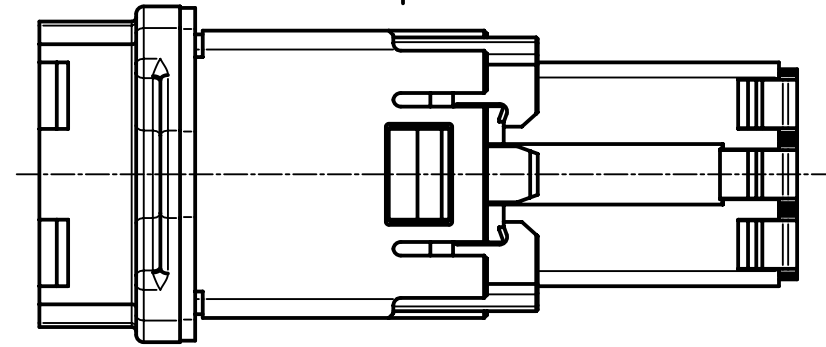
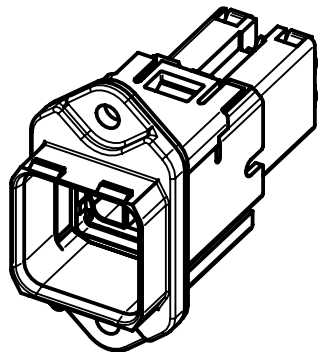


(1:1)

panel cut out

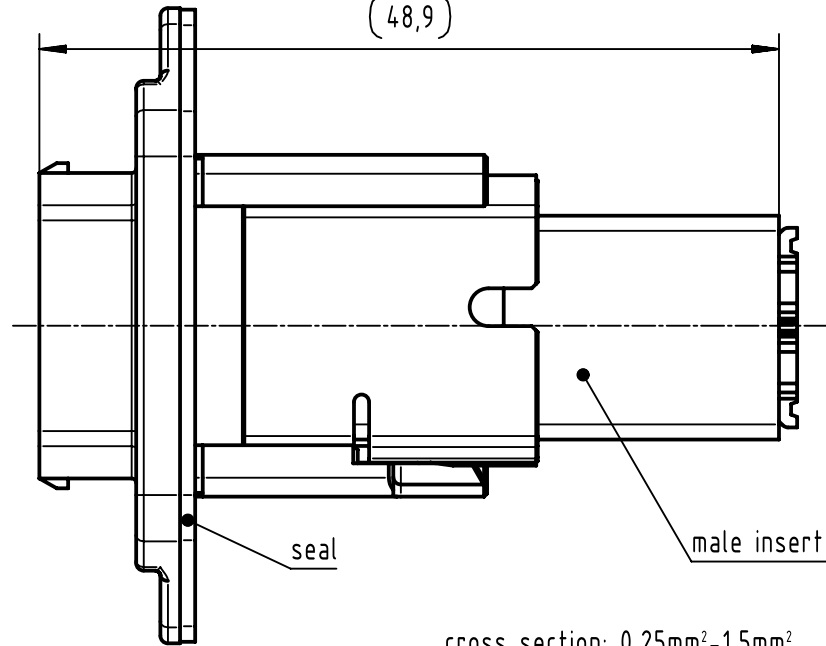


thickness panel: 1mm to 6mm
 screwing torque: 0.3Nm to 0.5Nm



mating face acc to
 IEC 61076-3-118

(22,2)



seal

male insert QL

(48,9)

(42)

cross section: 0,25mm²-1,5mm²

	All Dimensions in mm Original Size DIN A4		Scale 2:1	Free size tol.		Ref.	
						Sub.	
	All rights reserved		Created by STORCK	Inspected by ZWAHR	Standardisation SCHREIER	Date 2020-08-21	State Final Release
	Department EL PD		Title Han PP Power PFT metal QL AWG23-16			Doc-Key / ECM-Nr. 100228038/UGD/003/F 500000174260	
HARTING Electronics GmbH D-32339 Espelkamp			Type TB	Number 09352340311		Rev. F	Page 1/1